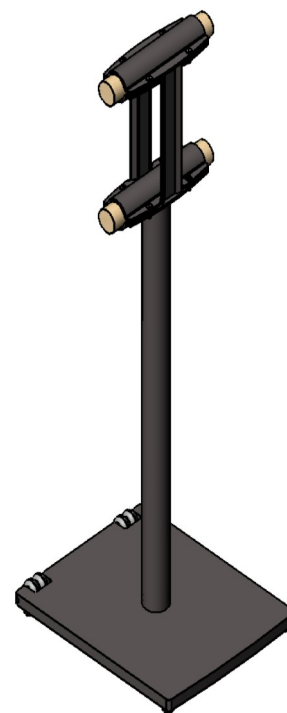
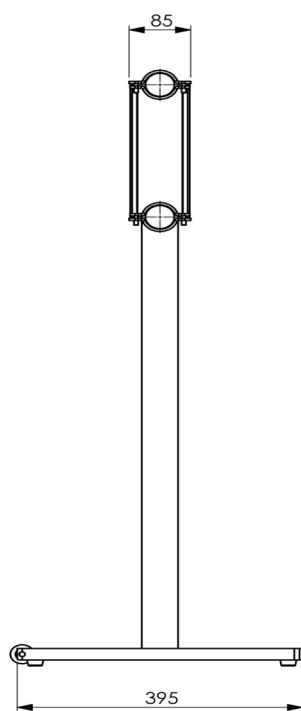
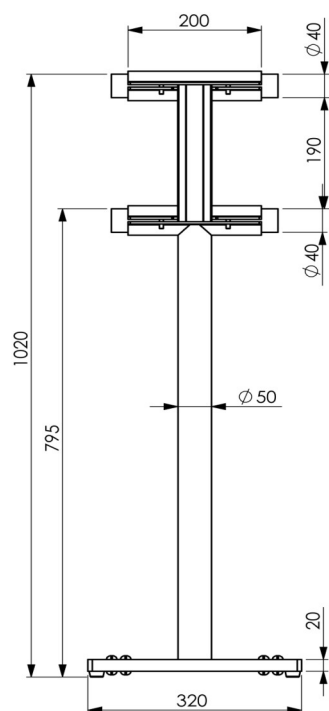


Model "PINA" (with wheels) portable double dance barre



Technical Details

Dimensions:

- Height:
 - ⇒ from floor to the top of the upper bar 1020 mm
 - ⇒ from floor to lower bar 795 mm
- Distance between the bars 190 mm
- Diameter of upright: 50 mm
- Base (length x width x thickness) 395 x 320 x 20 mm

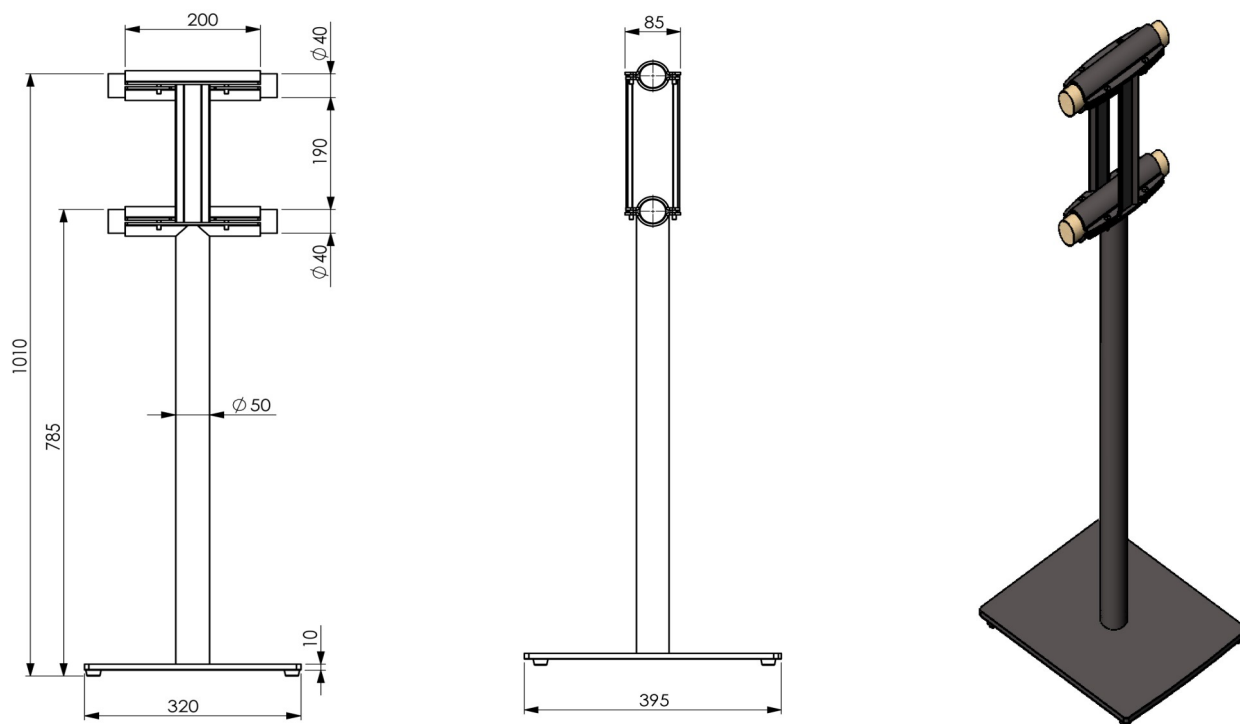
Features:

- Total weight
 - with 2 metre bars 52 kg
 - with 3 metre bars 54 kg
- Material: steel upright and base
- Standard pinewood bare
- Finishing: epoxy coated silver
- 4 rubber wheels per base on one side



We recommend a maximum distance between supports of 2 m.
 The PINA is designed for bars with a diameter of 40 mm.
 Two wooden bars are included with a standard length of 2 m or 3 m.

Model “PINA” (without wheels) portable double dance barre



Technical Details

Dimensions:

- Height
 - from floor to the top of the upper bar 1010 mm
 - from floor to lower bar 785 mm
- Distance between the bars 190 mm
- Diameter of upright 50 mm
- Base (length x width x thickness) 395 x 320 x 10 mm

Features:

- Total weight:
 - with 2 metre bars 36 kg
 - with 3 metre bars 38 kg
- Material: upright and base out of steel
- Finishing: epoxy coated silver



We recommend a maximum distance between supports of 2.3 m.
 The PINA is designed for bars with a diameter of 40 mm.
 Two wooden bars included. Standard length of bars 2 m or 3 m.