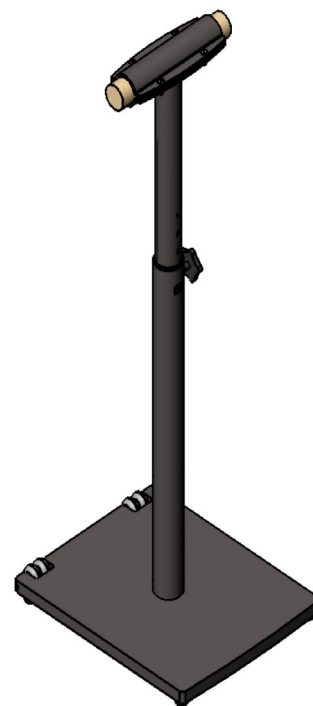
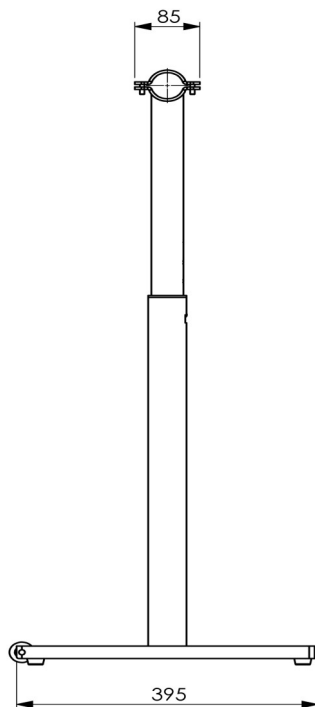
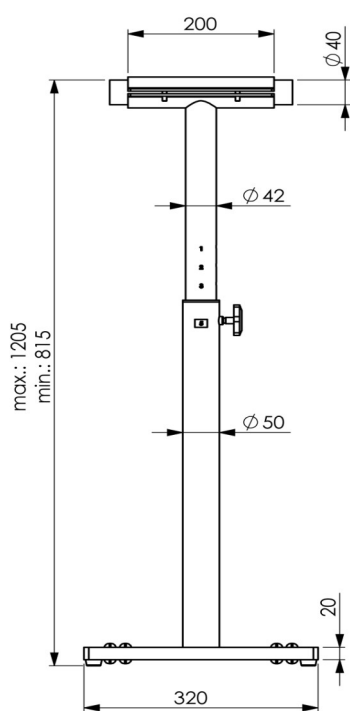


Model "ISA" (with wheels) Adjustable portable dance barre



Technical Details

Dimensions:

- max. height 1205 mm
- min. height 815 mm
- Diameter of upright 50 mm
- Base (length x width x thickness) 395 x 320 x 20 mm

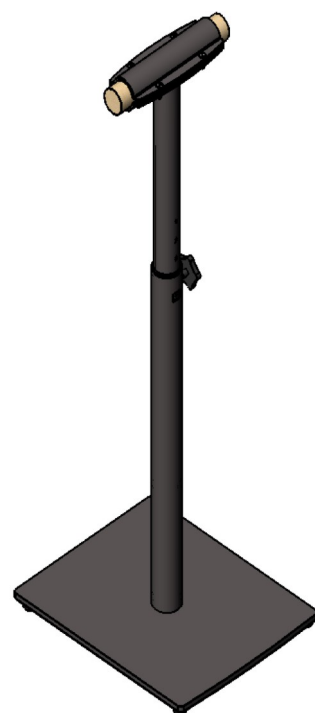
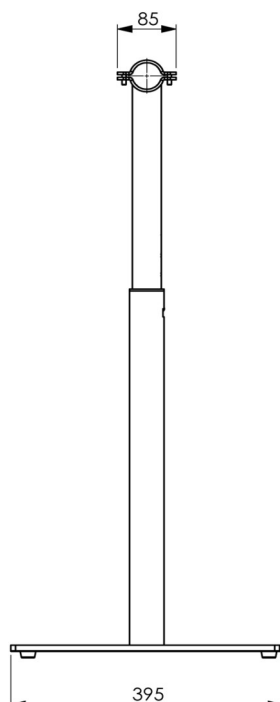
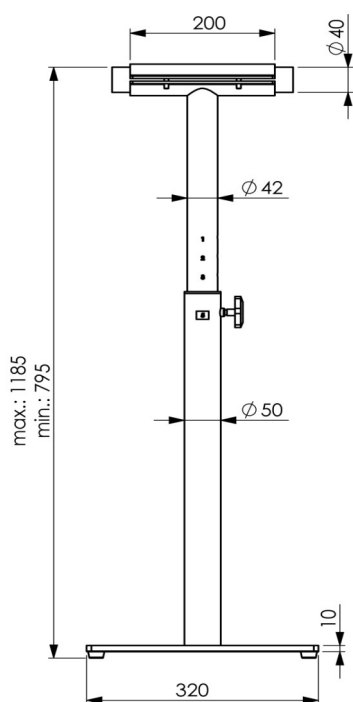
Features:

- Total weight:
 - with 2 metre bar 48 kg
 - with 3 metre bar 49 kg
- Material: upright and base out of steel
- Finishing: epoxy coated silver
- 4 rubber wheels per base on one side
- Adjustable to 14 different positions



We recommend a maximum distance between supports of 2.3 m.
 The ISA is designed for a bar with a diameter of 40 mm.
 One wooden bar included. Standard length of bar 2 m or 3 m.

Model "ISA" (without wheels) Adjustable portable dance barre



Technical Details

Dimensions:

- max. height 1185 mm
- min. height 795 mm
- Diameter of upright 50 mm
- Base (length x width x thickness) 395 x 320 x 10 mm

Features:

- Total weight:
 - with 2 metre bar 32 kg
 - with 3 metre bar 33 kg
- Material: upright and base out of steel
- Finishing: epoxy coated silver
- Adjustable to 14 different positions



We recommend a maximum distance between supports of 2.3 m.
 The ISA is designed for a bar with a diameter of 40 mm.
 One wooden bar included. Standard length of bar 2 m or 3 m.