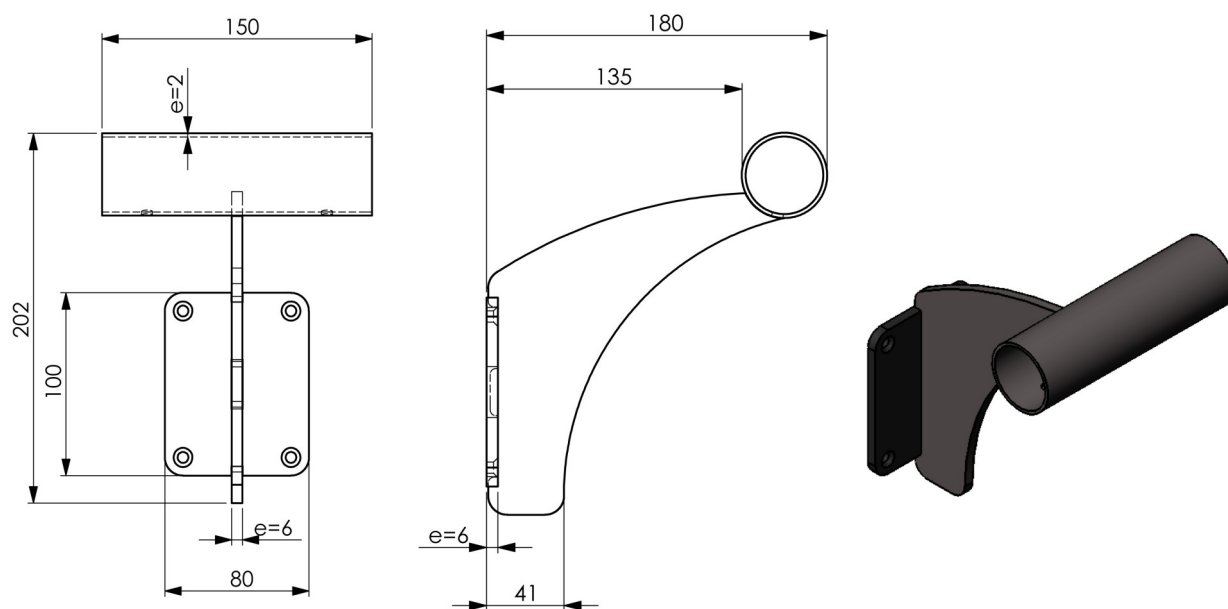


Model "ARABESQUE SINGLE" Wall support for wooden bars



Technical Details

Dimensions:

- Height of the support 202 mm
- Width 150 mm
- Depth: Wall—Outside of the bar 180 mm
- Depth: Wall—Inside of the bar 135 mm
- Mounting plate (length x width x thickness) 100 x 80 x 6 mm

Features:

- Weight 1.15 kg
- Material: bracket and base out of steel
- Finishing: epoxy coated silver

Included:

- 4 screws for wall mounting DIN 7505A 5,5 x 50 mm
- 4 Fischer type dowels
- 2 screws for fixing bar to support DIN 7505A 4,5 x 20 mm

We recommend a maximum distance between supports of 2 m.
The ARABESQUE is designed for bars with a diameter of 40 mm.
Wooden bars are not included.

