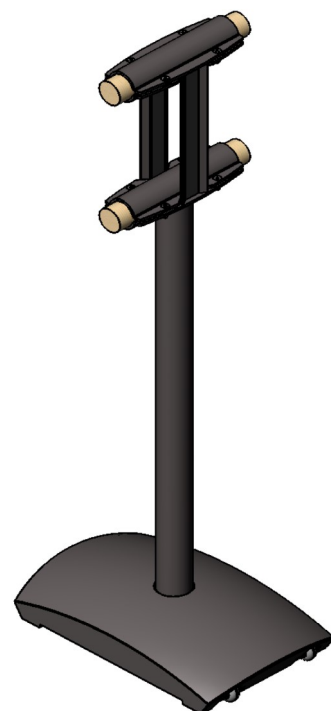
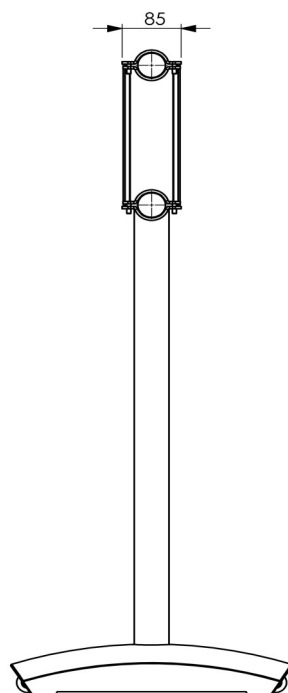
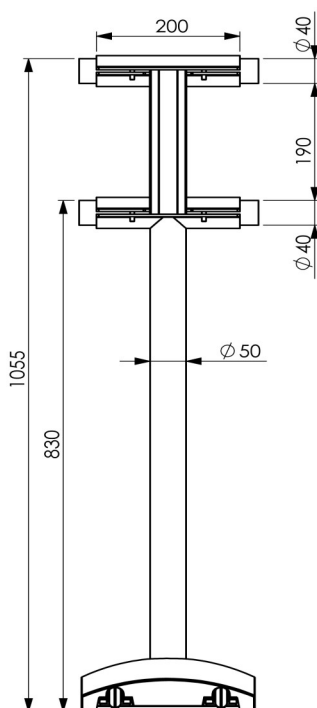


Model "MAURICE" portable double dance barre



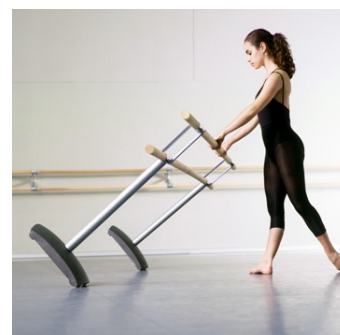
Technical Details

Dimensions:

- Height
 - from floor to the top of the upper bar 1055 mm
 - from floor to lower bar 830 mm
- Distance between the bars 190 mm
- Diameter of upright 50 mm
- Base (length x width x thickness) 410 x 250 x 70 mm

Features:

- Total weight:
 - with 2 metre bars 70 kg
 - with 3 metre bars 72 kg
- Material: steel upright and cast iron base
- Finishing: epoxy coated silver and grey cast iron
- 4 rubber wheels per base two on each side



We recommend a maximum distance between supports of 2.3 m.
The MAURICE is designed for bars with a diameter of 40 mm.
Two wooden bars included. Standard length of bars 2 or 3 m.