



dinamica ballet

Specialists in ballet barres
and dance mirrors



PORTABLE
BALLET
BARRES



FLOOR
MOUNTED
SUPPORTS



WALL
MOUNTED
SUPPORTS



PORTABLE
AND FIXED
MIRRORS



PORTABLE BALLET BARRES

Our portable ballet barres range from the **ROYALE, MAURICE, GISELLE, PINA, ISA,** and **AVANT** models; which are designed for professional ballet, dance and fitness workouts, to the **PRIMA** and the **JULIETTE**, portable ballet barres specifically designed for home use.

We have aimed to create barres that are easy to move, but without compromising strength and stability. To fully maximize the available space and the number of users on each, all our portable barres can be used from both sides of the wooden beam.

You will find these stylish and sturdy ballet barres are built to the highest level of quality. Our equipment stands up to the rigours of everyday use and will last many years to come. Thanks to these characteristics, dinamica ballet equipment has gained a leading national and international market position.



ROYALE



MAURICE



GISELLE



PINA



ISA



AVANT



JULIETTE



PRIMA

ROYALE



ROYALE is one of our most versatile ballet barres and suitable for all types of dancers of different stature. It is a premium, height-adjustable, freestanding, portable ballet barre that has two wooden beams with 10 pre-set heights and cast iron bases to give maximum stability.

The bases are equipped with small wheels on both sides of the barre to allow a single user to move the ROYALE in whichever direction they desire. Once in position, a clever design ensures the wheels are off the floor so that the ballet barre's stability is left uncompromised.

Product features

- 2 Southern yellow pine bars included (smoothed and unvarnished).
- 10 adjustable heights.
- Steel uprights in silver with cast iron bases.
- Rubber wheels on both sides of the bases.

| | |
|-----------------------------|--|
| Height of bars, position 1 | U.b.: 96.5 cm L.b.: 73.5 cm |
| Height of bars, position 10 | U.b.: 123 cm L.b.: 100.5 cm |
| Distance between bars | 19 cm |
| Diameter of uprights | 50 mm Ø |
| Diameter of bars | 40 mm Ø |
| Base dimensions | 41 x 25 x 7 cm |
| Length of wooden bars | 2 m or 3 m |
| Total weight | 76 kg with 2 metre bars 77.5 kg with 3 metre bars |

U.b.: Upper bar | L.b.: Lower bar

MAURICE



MAURICE is a premium ballet barre from **dinamica ballet**.

It has two wooden beams and cast iron bases to give maximum stability.

The bases are equipped with small wheels on both sides of the barre to allow a single user to move the MAURICE in whichever direction they desire. Once in position, a clever design ensures the wheels are off the floor so that the ballet barre's stability is left uncompromised.

Product features

- 2 Southern yellow pine bars included (smoothed and unvarnished).
- Steel uprights in silver with cast iron bases.
- Rubber wheels on both sides of the bases.

| | |
|-----------------------|---|
| Height of bars | U.b.: 105.5 cm L.b.: 83 cm |
| Distance between bars | 19 cm |
| Diameter of uprights | 50 mm Ø |
| Diameter of bars | 40 mm Ø |
| Base dimensions | 41 x 25 x 7 cm |
| Length of wooden bars | 2 m or 3 m |
| Total weight | 74 with 2 metre bars 75.5 kg with 3 metre bars |

U.b.: Upper bar | L.b.: Lower bar



GISELLE

GISELLE is one of our most versatile ballet barres and suitable for all types of dancers of different stature. Similar to the ROYALE, the GISELLE is a height-adjustable, freestanding, portable ballet barre but with steel bases instead of cast iron. It has two wooden beams with 10 pre-set heights.

The steel bases give the advantage of making the GISELLE lighter and to maintain the same stability and mobility, we have made the bases flatter and wider.

The bases come with the option of small wheels.



Product features

- 2 Southern yellow pine bars included (smoothed and unvarnished).
- 10 adjustable heights.
- Steel uprights and bases in silver.
- Bases with rubber wheels (optional).

| | |
|------------------------------|---|
| Position 1, without wheels: | U.b.: 93.5 cm L.b.: 70.5 cm |
| Position 10, without wheels: | U.b.: 120.5 cm L.b.: 97.5 cm |
| Position 1, with wheels: | U.b.: 94.5 cm L.b.: 71.5 cm |
| Position 10, with wheels: | U.b.: 121 cm L.b.: 98.5 cm |
| Distance between bars | 19 cm |
| Diameter of upright | 50 mm Ø |
| Diameter of bars | 40 mm Ø |
| Base dimensions | Without wheels: 39.5 x 32 x 1 cm With wheels: 39.5 x 32 x 2 cm |
| Length of wooden bars | 1.5 m, 2 m or 3 m |
| Total weight, without wheels | 34 kg with 1.5 metre bars 35 kg with 2 metre bars 36 kg with 3 metre bars |
| Total weight, with wheels | 53 kg with 1.5 metre bars 54 kg with 2 metre bars 55 kg with 3 metre bars |

U.b.: Upper bar | L.b.: Lower bar



PINA

PINA has two wooden beams and is similar to MAURICE but with steel bases instead of cast iron.

Steel bases give the advantage of making the PINA lighter and to maintain the same stability and mobility, we have made the bases flatter and wider.

The bases come with the option of small wheels.

Product features

- 2 Southern yellow pine bars included (smoothed and unvarnished).
- Steel uprights and bases in silver.
- Bases with rubber wheels (optional).

Height of bars

| | |
|------------------------------|---|
| Without wheels | U.b.: 101 cm L.b.: 79 cm |
| With wheels | U.b.: 102 cm L.b.: 80 cm |
| Distance between bars | 19 cm |
| Diameter of upright | 50 mm Ø |
| Diameter of bars | 40 mm Ø |
| Base dimensions | Without wheels: 39.5 x 32 x 1 cm With wheels: 39.5 x 32 x 2 cm |
| Length of wooden bars | 1.5 m, 2 m or 3 m |
| Total weight, without wheels | 31.5 kg with 1.5 metre bars 32.5 kg with 2 metre bars 34 kg with 3 metre bars |
| Total weight, with wheels | 50.5 kg with 1.5 metre bars 51 kg with 2 metre bars 52.5 kg with 3 metre bars |

U.b.: Upper bar | L.b.: Lower bar



ISA



ISA is one of our most versatile ballet barres with a choice of 14 selectable heights making it suitable for all types of dancers of different stature.

The ballet barre has a single wooden beam that we offer in three different standard lengths.

ISA comes with the choice of wheels or without and both options do not compromise the portability and stability of the barre.

Product features

- 1 Southern yellow pine bar included (smoothed and unvarnished).
- 14 adjustable heights.
- Steel uprights and bases in silver.
- Bases with rubber wheels (optional).

| | |
|-------------------------------|--|
| Height of bar, without wheels | Position 1: 79.5 cm Position 14: 118.5 cm |
| Height of bar, with wheels | Position 1: 80.5 cm Position 14: 119.5 cm |
| Diameter of uprights | 50 mm Ø |
| Diameter of bar | 40 mm Ø |
| Base dimensions | Without wheels: 39.5 x 32 x 1 cm With wheels: 39.5 x 32 x 2 cm |
| Length of wooden bars | 1 m, 1.5 m, 2 m or 3 m |
| Total weight, without wheels | 30.5 kg with 1 metre bar 31 kg with 1.5 metre bar 31.5 kg with 2 metre bar 32 kg with 3 metre bar |
| Total weight, with wheels | 50 kg with 1.5 metre bar 50.5 kg with 2 metre bar 51 kg with 3 metre bar |



AVANT

The AVANT ballet barre is similar to our PINA model but with a single wooden beam. Its design offers stability, strength and mobility.

The ballet barre comes with the choice of wheels or without and both options do not compromise the portability and stability of the AVANT.



Product features

- 1 Southern yellow pine bar included (smoothed and unvarnished).
- Steel uprights and bases in silver.
- Bases with rubber wheels (optional).

| | |
|------------------------------|--|
| Height of the bar | Without wheels: 103 cm With wheels: 104 cm |
| Diameter of uprights | 50 mm Ø |
| Diameter of bar | 40 mm Ø |
| Base dimensions | Without wheels: 39.5 x 32 x 1 cm With wheels: 39.5 x 32 x 2 cm |
| Length of wooden bar | 1 m, 1.5 m, 2 m or 3 m |
| Total weight, without wheels | 27.5 kg with 1 metre bar 28 kg with 1.5 metre bar 28.5 kg with 2 metre bar 29 kg with 3 metre bar |
| Total weight, with wheels | 47 kg with 1.5 metre bar 47.5 kg with 2 metre bar 48 kg with 3 metre bar |



JULIETTE



The Juliette is a height-adjustable ballet barre designed to be used at home, that can be set to 12 different heights making it suitable for all types of dancers of different stature.

The design of this ballet barre combines a lightweight frame with strength and stability.

Product features

- 1 Southern yellow pine bar included (smoothed and unvarnished).
- 12 adjustable heights.
- Steel uprights and bases in silver.

| | |
|-------------------------------|--|
| Height of the bar position 1 | 77 cm |
| Height of the bar position 12 | 110 cm |
| Diameter of uprights | 40 mm Ø |
| Diameter of bar | 40 mm Ø |
| Base dimensions | 39.5 x 32 x 0.6 cm |
| Length of wooden bar | 1 m, 1.5 m or 2 m |
| Total weight | 18 kg with 1 metre bar 18.5 kg with 1.5 metre bar 19 kg with 2 metre bar |



PRIMA

Designed for personal use, PRIMA is suitable for adults and children alike. It is a popular piece of equipment for dancers practising at home and also for barre workouts.

Our PRIMA ballet barre combines a lightweight frame with strength and stability.

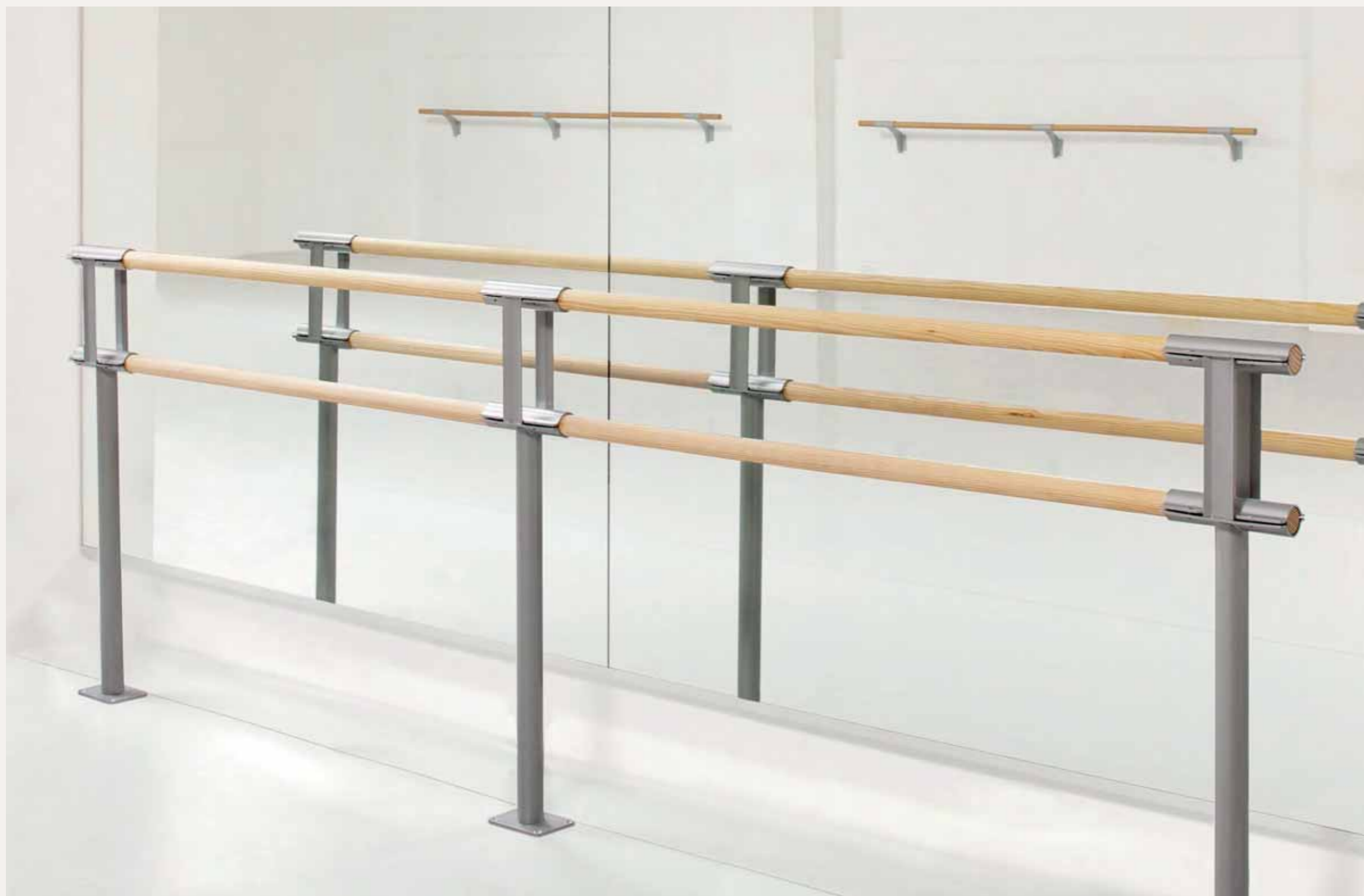


Product features

- 1 Southern yellow pine bar included (smoothed and unvarnished).
- Steel uprights and bases in silver.

| | |
|----------------------|--|
| Height of the bar | 96 cm |
| Diameter of uprights | 40 mm Ø |
| Diameter of bar | 40 mm Ø |
| Base dimensions | 39.5 x 32 x 0.6 cm |
| Length of wooden bar | 1 m, 1.5 m or 2 m |
| Total weight | 15.5 kg with 1 metre bar 16 kg with 1.5 metre bar 16.5 kg with 2 metre bar |





FLOOR MOUNTED SUPPORTS

Our floor mounted supports are single column steel uprights that are firmly fixed to the ground with four heavy duty bolts.

They are suitable for all types of floors, with robust bases and a closed cradle design to ensure they can handle a multitude of uses from dance to fitness.

Our floor mounted uprights can all be installed in conjunction with our wall supports.



GISELLE-FIX



PINA-FIX



ISA-FIX



AVANT-FIX

GISELLE-FIX

Height adjustable to ten different positions and designed to hold a double row of wooden beams.



Product features

- Floor mounted ballet bar support. 10 adjustable heights.
- Steel upright and base in silver.

| | |
|--|-------------------|
| Height of bars - Position 1 | 91.5 and 68.5 cm |
| Height of bars - Posición 10 | 118.5 and 95.5 cm |
| Diameter of upright | 50 mm Ø |
| For wooden bars with a diameter | 40 mm Ø |
| Base dimensions | 18 x 10 x 0.6 cm |
| Weight per support | 6.5 kg |
| Recommended max. distance between supports | 1.5 m to 2 m |

PINA-FIX

Designed to hold a double row of wooden beams.



Product features

- Floor mounted double ballet bar support.
- Steel upright and base in silver or black..

| | |
|--|------------------|
| Height of bars | 77.5 and 101 cm |
| Distance between bars | 19 cm |
| Diameter of upright | 50 mm Ø |
| For wooden bars with a diameter | 40 mm Ø |
| Base dimensions | 18 x 10 x 0.6 cm |
| Weight per support | 5.5 kg |
| Recommended max. distance between supports | 1.5 m to 2 m |

ISA-FIX

Height adjustable to fourteen different positions and designed to hold a single row of wooden beams.



Product features

- Floor mounted ballet bar support. 14 adjustable heights.
- Steel upright and base in silver.

| | |
|--|------------------|
| Height position 1 | 79.5 cm |
| Height position 14 | 118 cm |
| Diameter of upright | 50 mm Ø |
| For wooden bars with a diameter | 40 mm Ø |
| Base dimensions | 18 x 10 x 0.6 cm |
| Weight per support | 5.5 kg |
| Recommended max. distance between supports | 1.5 m to 2 m |

AVANT-FIX

Designed to hold a single row of wooden beams.



Product features

- Floor mounted ballet bar support.
- Steel upright and base in silver or black.

| | |
|--|------------------|
| Height | 103 cm |
| Diameter of upright | 50 mm Ø |
| For wooden bars with a diameter | 40 mm Ø |
| Base dimensions | 18 x 10 x 0.6 cm |
| Weight per support | 4.5 kg |
| Recommended max. distance between supports | 1.5 m to 2 m |



WALL MOUNTED SUPPORTS

Firmly attached to your wall, our steel brackets can support one or two rows of wooden beams.

WOODEN BARS

Fine Southern yellow pine wood (smoothed and unvarnished).



ARABESQUE DOUBLE



ARABESQUE SINGLE



TWIST



WOODEN BARS

ARABESQUE DOUBLE

Designed to hold a double row of wooden beams.



ARABESQUE SINGLE

Designed to hold a single row of wooden beams.



Our steel brackets have a cylindrical saddle to ensure that the bars won't tear free with pulling or pushing, making them suitable for a wide variety of uses.

These wall mounted brackets can be installed in conjunction with our floor supports.

Product features

- Steel wall brackets in silver or black.
- Suitable for bars with a diameter of 40 mm.

| | ARABESQUE DOUBLE | ARABESQUE SINGLE |
|--|------------------|------------------|
| Distance between bars and wall | 18 cm | 18 cm |
| Distance between the bars (Arabesque Double) | 19 cm | -- |
| Weight | 1.7 kg | 1.15 kg |
| Recommended max. distance between supports | 1.5 to 2 m | 1.5 to 2 m |

TWIST



TWIST bar-end wall support allows you to install a ballet barre across opposite facing walls. This versatility gives greater possibilities to fully utilize your space.

Compatible with all our fixed barres.

Product features

- Steel supports in silver or black.
- Designed for wooden beams with a diameter of 40 mm.

| | |
|---|-------|
| Weight | 300 g |
| Recommended maximum distance between TWIST supports | 1.5 m |

WOODEN BARS



Wooden bars offer the feel that dancers worldwide enjoy. Our pine wood bars provide that slight "give" which a metal bar simply cannot offer.

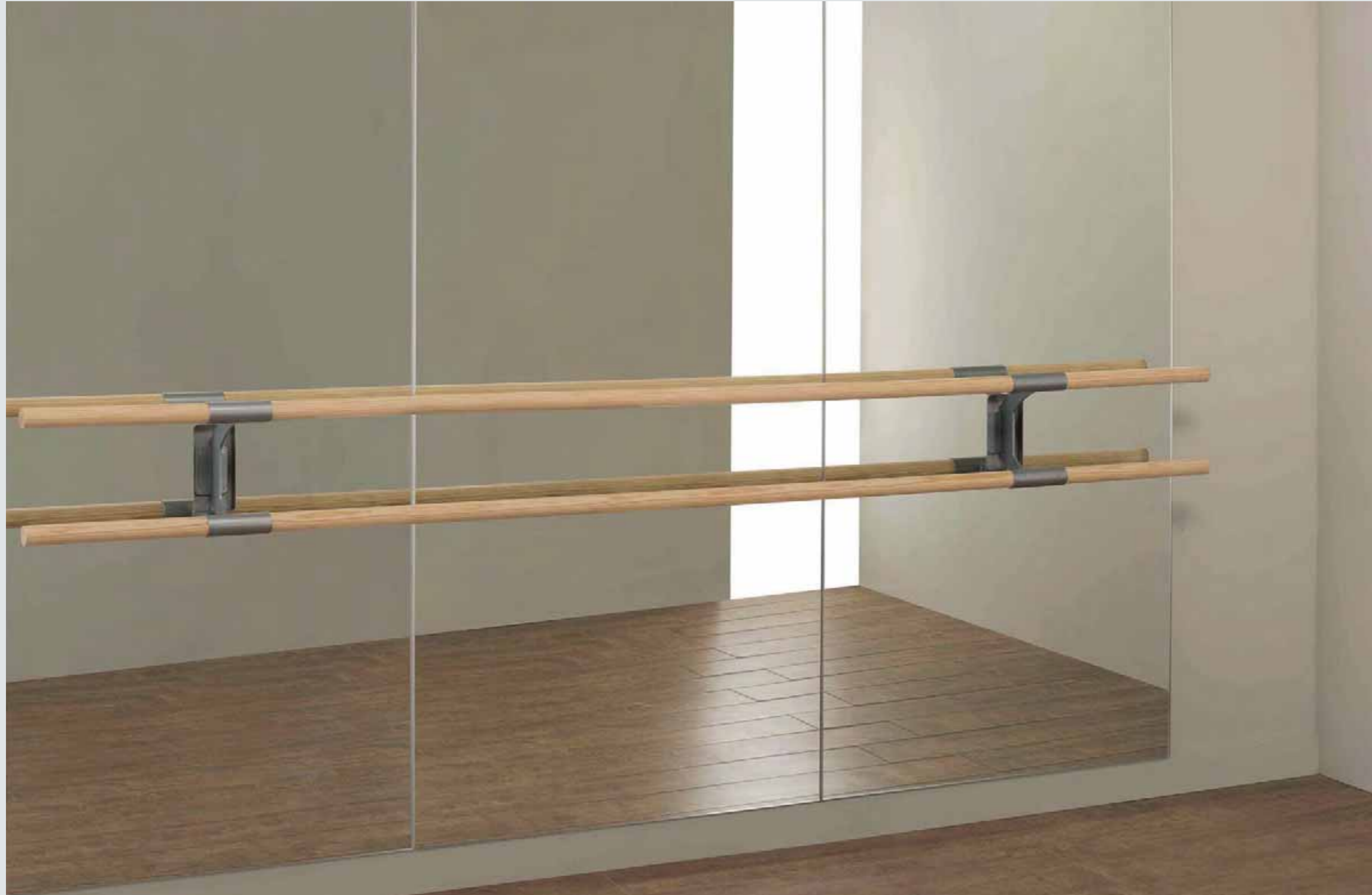
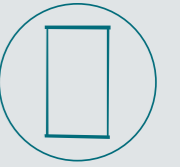
They are strong and durable and delivered unvarnished to improve the grip for the user. The edges have been smoothly finished to avoid any unnecessary harm.

Our standard bars are available in a number of different lengths, but we can also create customised measures to suit your needs. They are also available in beech wood.

Product features

- Fine Southern yellow pine wood (smoothed and unvarnished).
- Beech wood bars are also available.

| | | |
|-----------------|-------------------|--------|
| Standard length | 1 / 1.5 / 2 / 3 m | |
| Diameter | 40 mm Ø | |
| Weight | 1 m | 0.8 kg |
| | 1.5 m | 1.1 kg |
| | 2 m | 1.5 kg |
| | 3 m | 2.2 kg |



DANCE MIRRORS:

PORTABLE

FIXED

SCREEN PRINTED

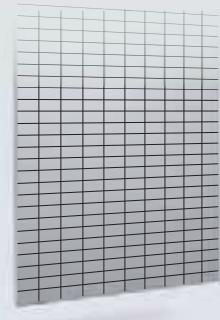
INTEGRATABLE
WITH FIX
WALL MOUNTED
SUPPORTS



BILLY



FIGARO



BORIS



AMADEUS

BILLY



Our mobile mirror BILLY is easy to move around and just as easy to lock into a fixed, stable position.

The innovative design of BILLY allows multiple mirrors to be connected together to form one large, single, continuous mirror surface.

Our mirrors are mounted vertically without any inclination to ensure a true image for the viewer and with our commitment to quality, you can be assured they are warp free.

Product features

- Safety glass.
- Vertical mirror with no inclination.
- Floor module with swivel, height-adjustable, wheels and brakes.
- User handles to avoid leaving fingerprints.
- Multiple BILLYs connect to form one continuous mirror.

| | |
|------------------|-------------------|
| Dimensions | 190 x 100 x 53 cm |
| Mirror thickness | 4 mm |
| Total weight | 45 kg |



FIGARO

A mounted mirror hung flat against the wall and designed with safety in mind.

FIGARO does not require skilled tradesmen to install. It has an aluminium frame available in silver or black and can be mounted vertically or horizontally.

There is a security film applied in its construction to make the mirror safe in case of accidental damage. The film serves to prevent broken glass shards from breaking free from the mirror and causing harm.

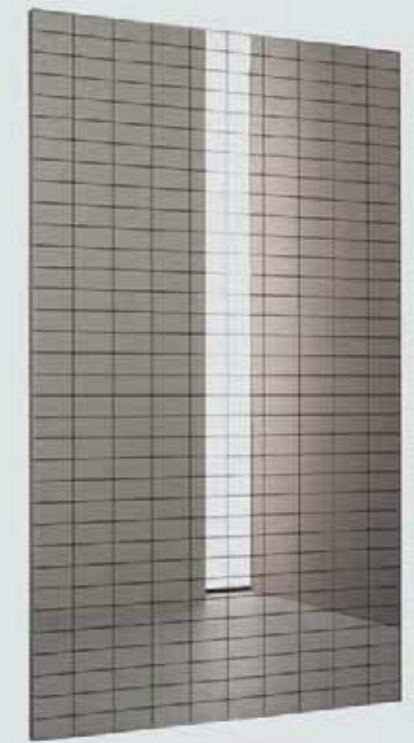
Product features

- Safety glass.
- Simple installation.
- Screws included.

| | |
|------------------|----------------------|
| Dimensions | 200 x 1250 x 2.5 cm |
| | 200 x 100 x 2.5 cm |
| | 170 x 100 x 2.5 cm |
| | 120 x 80 x 2.5 cm |
| Frame colour | Silver or black |
| Mirror thickness | 4 mm |
| Total weight | 200 cm height: 30 kg |
| | 170 cm height: 25 kg |
| | 120 cm height: 15 kg |



BORIS



A wall mounted mirror with a 10 x 5 cm screen printed grid pattern on its surface. Suitable for rehabilitation and posture correction centres. Hung flat against the wall and designed with safety in mind.

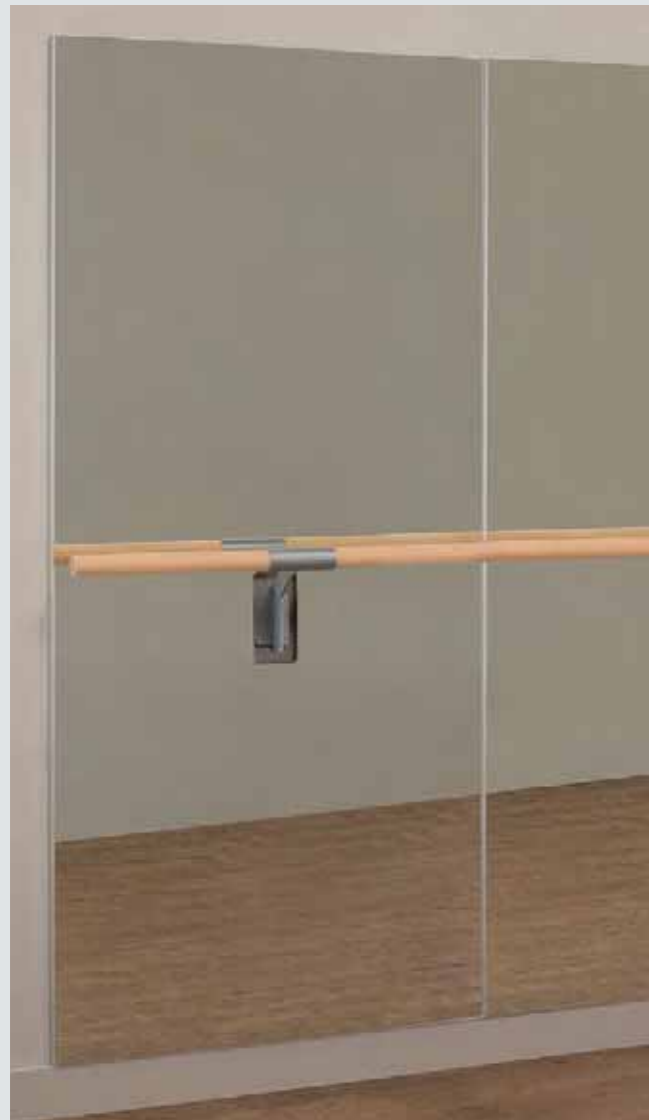
BORIS does not require skilled tradesmen to install. It has an aluminium frame available in silver or black and can be mounted vertically or horizontally.

There is a security film applied in its construction to make the mirror safe in case of accidental damage. The film serves to prevent broken glass shards from breaking free from the mirror and causing harm.

Product features

- Safety glass.
- 10 x 5 cm grid pattern on surface.
- Simple installation.
- Screws included.

| | |
|------------------|------------------------|
| Dimensions | 200 x 100 x 2.5 cm |
| | 170 x 100 x 2.5 cm |
| | 120 x 80 x 2.5 cm |
| Frame colour | Silver or black |
| Mirror thickness | 4 mm |
| Total weight | 200 cm height: 30 kg |
| | 170 cm height: 25 kg |
| | 120 cm height: 15 kg |
| Screen printed | 10 x 5 cm grid pattern |



ARABESQUE DOUBLE support and bars not included.

A wall mounted mirror with a central 10 x 20 cm opening that allows the attachment of our ARABESQUE-SINGLE or DOUBLE wall brackets to give a complete mirror and barre installation. Hung flat against the wall and designed with safety in mind.

AMADEUS does not require skilled tradesmen to install. It has an aluminium frame available in silver or black.

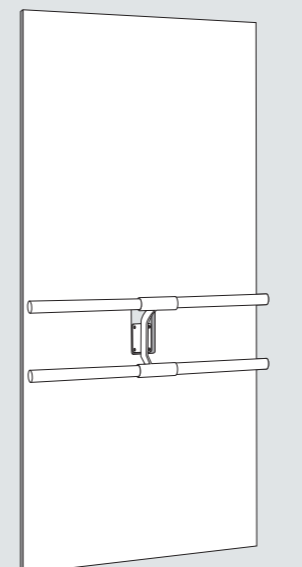
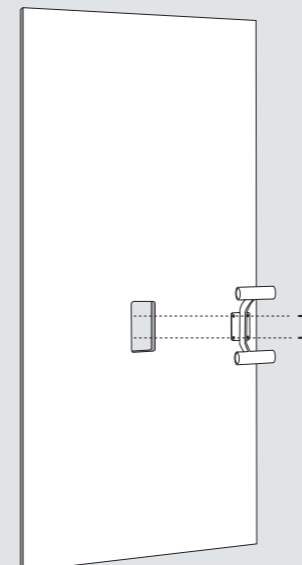
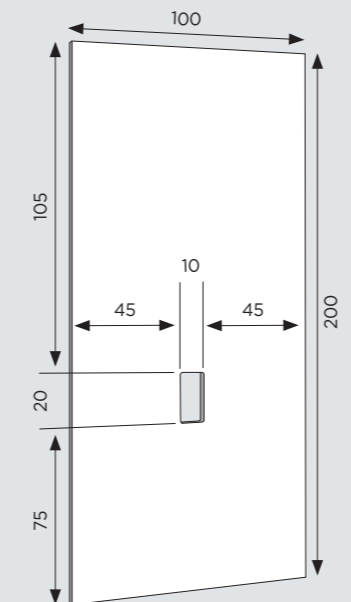
There is a security film applied in its construction to make the mirror safe in case of accidental damage. The film serves to prevent broken glass shards from breaking free from the mirror and causing harm.

Product features

- Safety glass.
- Option of 10 x 5 cm grid pattern on surface.
- Simple installation.
- Screws included.

| | |
|-------------------------|--|
| Dimensions | 200 x 100 x 2.5 cm 170 x 100 x 2.5 cm |
| Frame colour | Silver or black |
| Dimensions of opening | 10 x 20 cm |
| Position of opening | refer to technical drawing |
| Mirror thickness | 4 mm |
| Total weight | 200 cm height: 30 kg 170 cm height: 25 kg |
| Screen printed (option) | 10 x 5 cm grid pattern |

Ex: AMADEUS mirror (200x100)
+ ARABESQUE DOUBLE support






dinamica ballet

DINÀMICA COMPLEMENTS, S.L.

Llull, 51-53, 5º 3ª | 08005 BARCELONA (SPAIN)

Tel. +34 93 486 31 35

export@dinamicaballet.com

www.dinamicaballet.com